

6

5

4

3

2

1

Housing material: PA, UL-94V-0, color black

RoHS
COMPLIANT

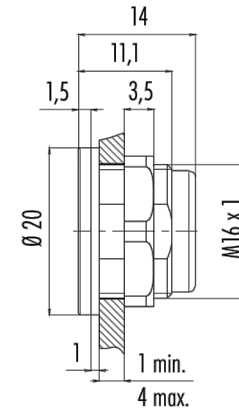
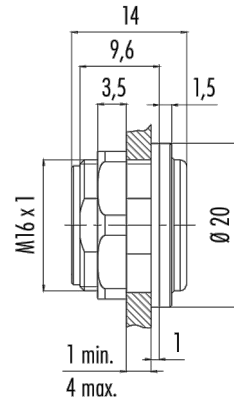
FRONT MOUNT

REAR MOUNT

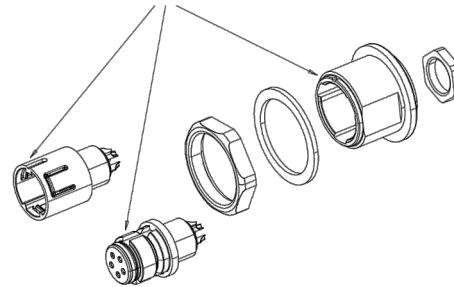
ORDERING CODE:

PD-HEC3-__MA
1

1) Mounting type:
Front mount = F
Rear mount = R

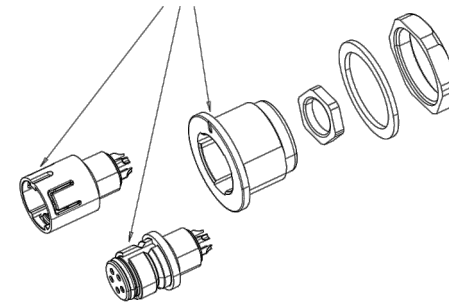


The marking of the adapter must conform with the coding nut of the insert

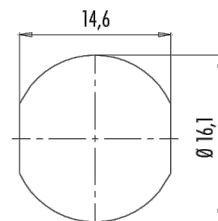


Inserts have to be ordered separately

The marking of the adapter must conform with the coding nut of the insert



Inserts have to be ordered separately



PANEL CUTOUT

TOLERANCE UNLESS OTHERWISE SPECIFIED	
X	± 1
X.X	± 0.4
X.XX	± 0.13
DRAWN BY	PB
DATE:	7/31/15
CHECK BY	
DATE:	
APPR BY	
DATE:	

Power Dynamics, Inc.	
Phone: 973 560-0019 Whippany, New Jersey Fax: 973 560-0076	
PART: PANEL MOUNT ADAPTER FOR HEC3 SERIES PANEL CONNECTORS	
PD-HEC3 XMA	
SHEET 1 of 1	
SIZE: A	ALL DIMENSIONS FOR REFERENCE ONLY DIMENSIONS ARE IN MILLIMETERS
SCALE: NTS	
REV:	

REVISIONS	CHNG	CHK	APPR
	DATE		

6

5

4

3

2

1